



SERVER GATEWAY DMX & DALI2 per INTEGRAZIONI CONTROL4 SERVER GATEWAY DMX & DALI2 for CONTROL4 INTEGRATION

Bus ETHERNET	10/100 Mbit
Bus DMX 512	512 slots NSC, SIP, RDM
Bus DALI2	64 channels, built in 125mA power supply
Supply Voltage	12-24-48 Vdc or POE
Local input	8 local input assignable to channels or scenes

Normative di riferimento / Reference Standards

EN 55015	Limits and methods of measurement of radio disturbance characteristics of electrical lighting and similar equipment
EN 61547	Equipment for general lighting purposes – EMC immunity requirements
EN 61347-1	Lamp controlgear – Part 1: General and safety requirements
IEC 62386-101 ED.2	Digital addressable lighting interface – Part 101: General requirement – System components
IEC 62386-103 ED.2	Digital addressable lighting interface – Part 103: General requirements – Control devices
IEC 62386-205 ED.2 ¹	Digital addressable lighting interface – Part 205: Particular requirements for control gear – Supply voltage controller for incandescent lamps (device type 4)
IEC 62386-207 ED.2 ²	Digital addressable lighting interface – Part 207: Particular requirements for control gear – LED modules (device type 6)
IEC 62386-209 ED.2 ³	Digital addressable lighting interface – Part 209: Particular requirements for control gear – Colour control (device type 8)
ANSI E1.11	Entertainment Technology – USITT DMX512-A Asynchronous Serial Digital Data Transmission Standard for Controlling Lighting Equipment and Accessories

Specifiche tecniche / Technical Data

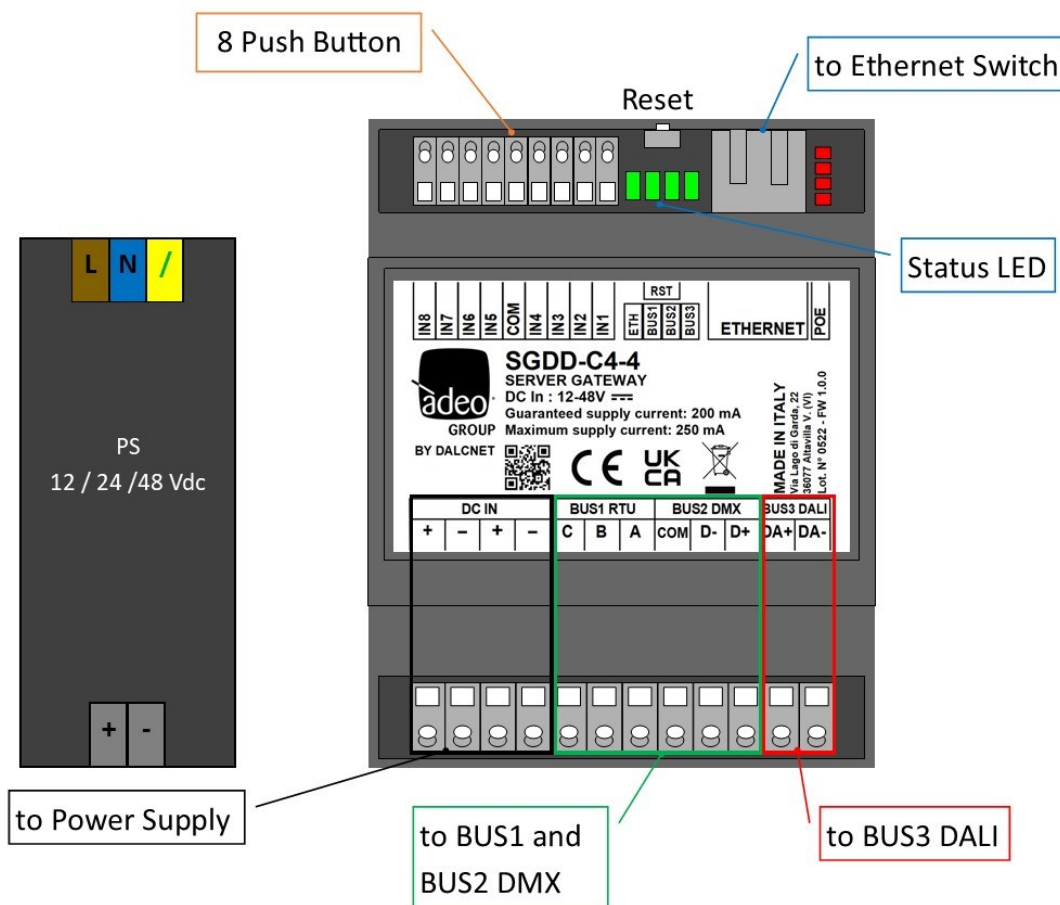
Tensione di alimentazione - Supply Voltage	min: 10.8 Vdc .. max: 50,2 Vdc or POE (better with DMX)																	
Corrente assorbita - Input Current	<table border="1"> <thead> <tr> <th>voltage</th> <th>min</th> <th>Typ*</th> <th>max</th> </tr> </thead> <tbody> <tr> <td>@ 12Vdc</td> <td>110mA (1,2W)</td> <td>320mA (3,84W)</td> <td rowspan="3">500mA</td> </tr> <tr> <td>@ 24Vdc</td> <td>60mA (1,44W)</td> <td>160mA (3,84W)</td> </tr> <tr> <td>@ 48Vdc</td> <td>40mA (1,92W)</td> <td>80mA (3,84W)</td> </tr> </tbody> </table> <p>*ethernet and all bus at full load</p>				voltage	min	Typ*	max	@ 12Vdc	110mA (1,2W)	320mA (3,84W)	500mA	@ 24Vdc	60mA (1,44W)	160mA (3,84W)	@ 48Vdc	40mA (1,92W)	80mA (3,84W)
voltage	min	Typ*	max															
@ 12Vdc	110mA (1,2W)	320mA (3,84W)	500mA															
@ 24Vdc	60mA (1,44W)	160mA (3,84W)																
@ 48Vdc	40mA (1,92W)	80mA (3,84W)																
Temperatura di stoccaggio - Storage temperature	min: -40 max: +60 °C																	
Temperatura di esercizio - Working temperature	min: -40 max: +40 °C																	
Grado di protezione - Protection Grade	ALUMINIUM BOX: IP20 - PLASTIC BOX IP10																	
Peso - Weight	ALUMINIUM BOX: 230g - PLASTIC BOX 125g																	
Dimensioni Meccaniche - Mechanical dimensions	ALUMINIUM BOX: 105x70x47 - PLASTIC BOX: DIN RAIL 4mod.																	
ETHERNET	10/100 Mbit baseT FULL DUPLEX AUTO NEGOTIATION																	
DMX	NSC 512 slots Max units: 32 standard or 128 DALCNET (it depends on the wiring) open fail safe - short fail safe																	
DALI2	Max 64 units, built-in 125mA power supply																	

¹ L'SGDD-C4-4 fornisce comandi per i control gear DT4, compatibili alla norma IEC 62386-205

² L'SGDD-C4-4 fornisce comandi per i control gear DT6, compatibili alla norma IEC 62386-207

³ L'SGDD-C4-4 fornisce comandi per i control gear DT8, compatibili alla norma IEC 62386-208 (colour type Tc, colour type RGBWAF)

Installazione / Installation



LED di stato – Status LED

	LED1(left)	LED2	LED3	LED4(right)
FUNCTION	Ethernet	BUS1(DMX/RTU)	BUS2(DMX/RTU)	BUS DALI
ON	Connected with ethernet communication	Connected with communication	Connected with communication	Connected with communication
Flashing	Connected without communication	Connected without communication (only RTU)	Connected without communication (only RTU)	Connected without communication
OFF	Not connected	Not connected	Not connected	Not enabled (without DALI power supply)

Per qualsiasi tipo di supporto contattare / For any type of support contact

info@adeogroup.it