



NOTES:

- ALL DIMENSIONS ARE IN 'MM' UNLESS SPECIFIED IN "[x]".
- ANY HAZARD SYMBOLS ARE TO BE READ IN CONJUNCTION WITH ANY RISK ASSESSMENT IF NUMBERED.
- THIS DRAWING IS PROPERTY OF DISPLAY TECHNOLOGIES LTD & IS STRICTLY CONFIDENTIAL. THE DRAWING SPECIFICATION & ITS CONTENTS MUST NOT BE DISCLOSED TO ANY THIRD PARTY WITHOUT PRIOR CONSENT.
- DRAWING SCALE IS ANNOTATED ON EVERY VIEW. IF IN DOUBT - ASK THE DESIGNER.

SYMBOLS:

- PROVIDES A REFERENCE NUMBER FOR ADDITIONAL NOTATION.
- HIGHLIGHTS SPECIFIC MANUFACTURING INFORMATION.
- HIGHLIGHTS A HAZARD & OR A RESIDUAL RISK ASSOCIATED WITH THE DESIGN RISK ASSESSMENT.

REV	DESCRIPTION	DATE	INITIALS
00	ORIGINAL ISSUE.	22.03.22	LE
1	Redesigned Mirror Mount	11.07.24	SR

DESIGNED	CHECKED	APPROVED
S. Ridley	S. Ridley	S. Ridley
11.07.24	11.07.24	11.07.24

DRAWING STATUS

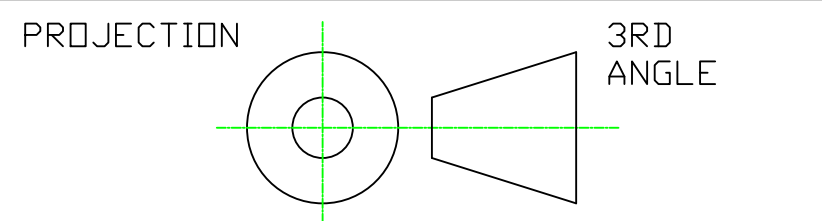
Clinet Issue

TITLE

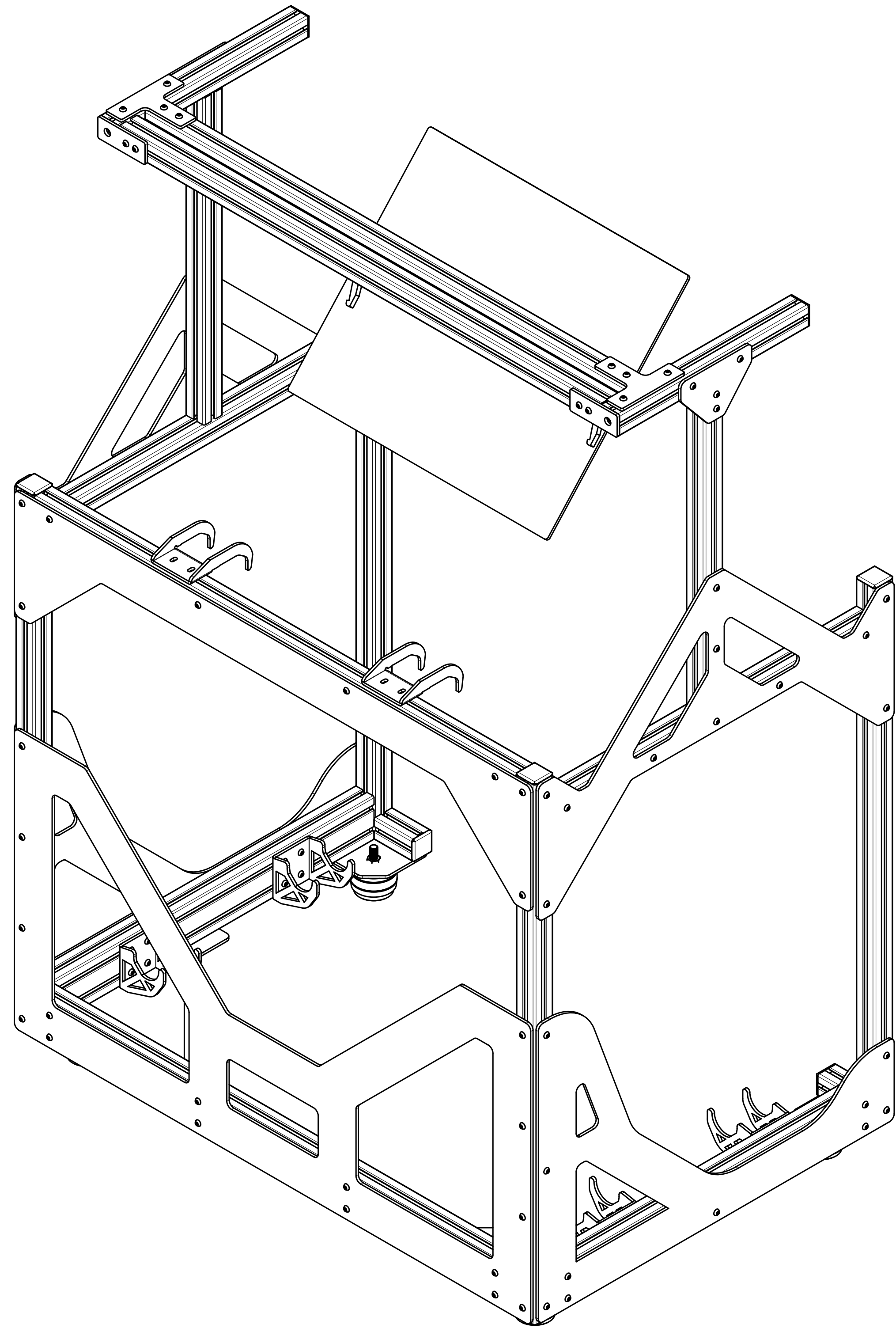
VERTICAL MIRROR MOUNT - XXL
(VMM-XXL - GENERAL OVERVIEW)

PART NUMBER

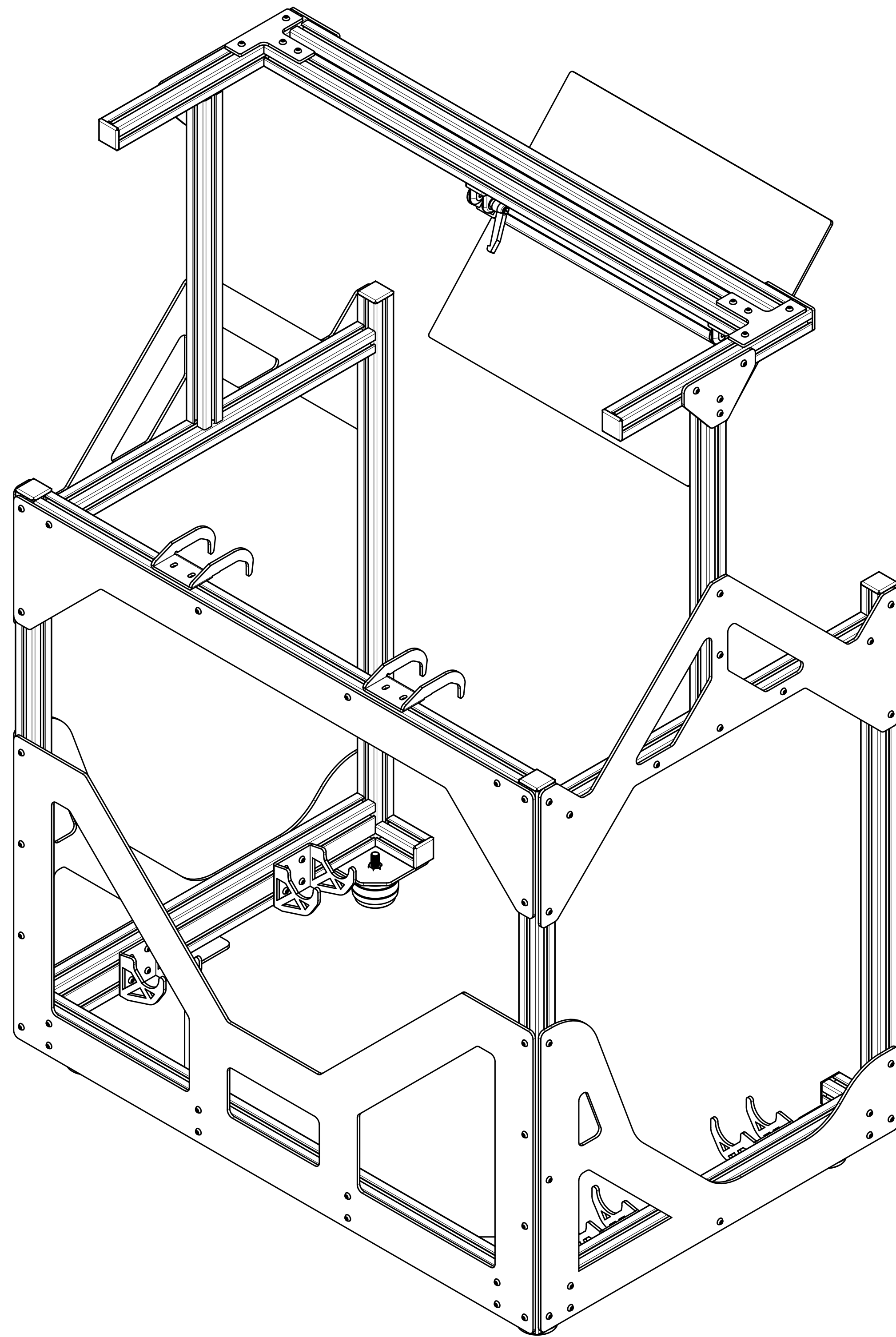
[DT-VMM-XXL]



DRAWING No. DR-01	REV No. 00
----------------------	---------------



ISOMETRIC VIEW (Forward Configuration)
DO NOT SCALE.



ISOMETRIC VIEW (Reverse Configuration)
DO NOT SCALE.



NOTES:

- ALL DIMENSIONS ARE IN 'MM' UNLESS SPECIFIED IN "[x]".
- ANY HAZARD SYMBOLS ARE TO BE READ IN CONJUNCTION WITH ANY RISK ASSESSMENT IF NUMBERED.
- THIS DRAWING IS PROPERTY OF DISPLAY TECHNOLOGIES LTD & IS STRICTLY CONFIDENTIAL. THE DRAWING SPECIFICATION & ITS CONTENTS MUST NOT BE DISCLOSED TO ANY THIRD PARTY WITHOUT PRIOR CONSENT.
- DRAWING SCALE IS ANNOTATED ON EVERY VIEW. IF IN DOUBT - ASK THE DESIGNER.

SYMBOLS:

- PROVIDES A REFERENCE NUMBER FOR ADDITIONAL NOTATION.
- HIGHLIGHTS SPECIFIC MANUFACTURING INFORMATION.
- HIGHLIGHTS A HAZARD & OR A RESIDUAL RISK ASSOCIATED WITH THE DESIGN RISK ASSESSMENT.

REV	DESCRIPTION	DATE	INITIALS
00	ORIGINAL ISSUE.	22.03.29	LE
1	Redesigned Mirror Mount	11.07.24	SR

DESIGNED	CHECKED	APPROVED
S. Ridley	S. Ridley	S. Ridley
11.07.24	11.07.24	11.07.24

DRAWING STATUS

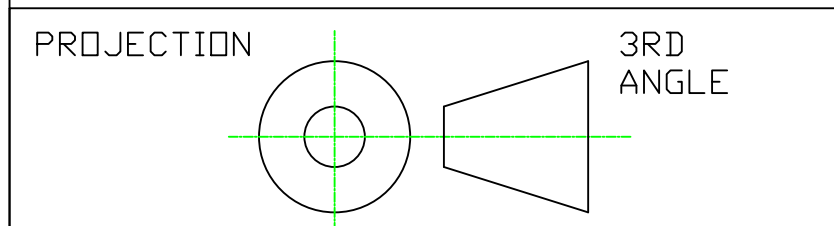
Cinet Issue

TITLE

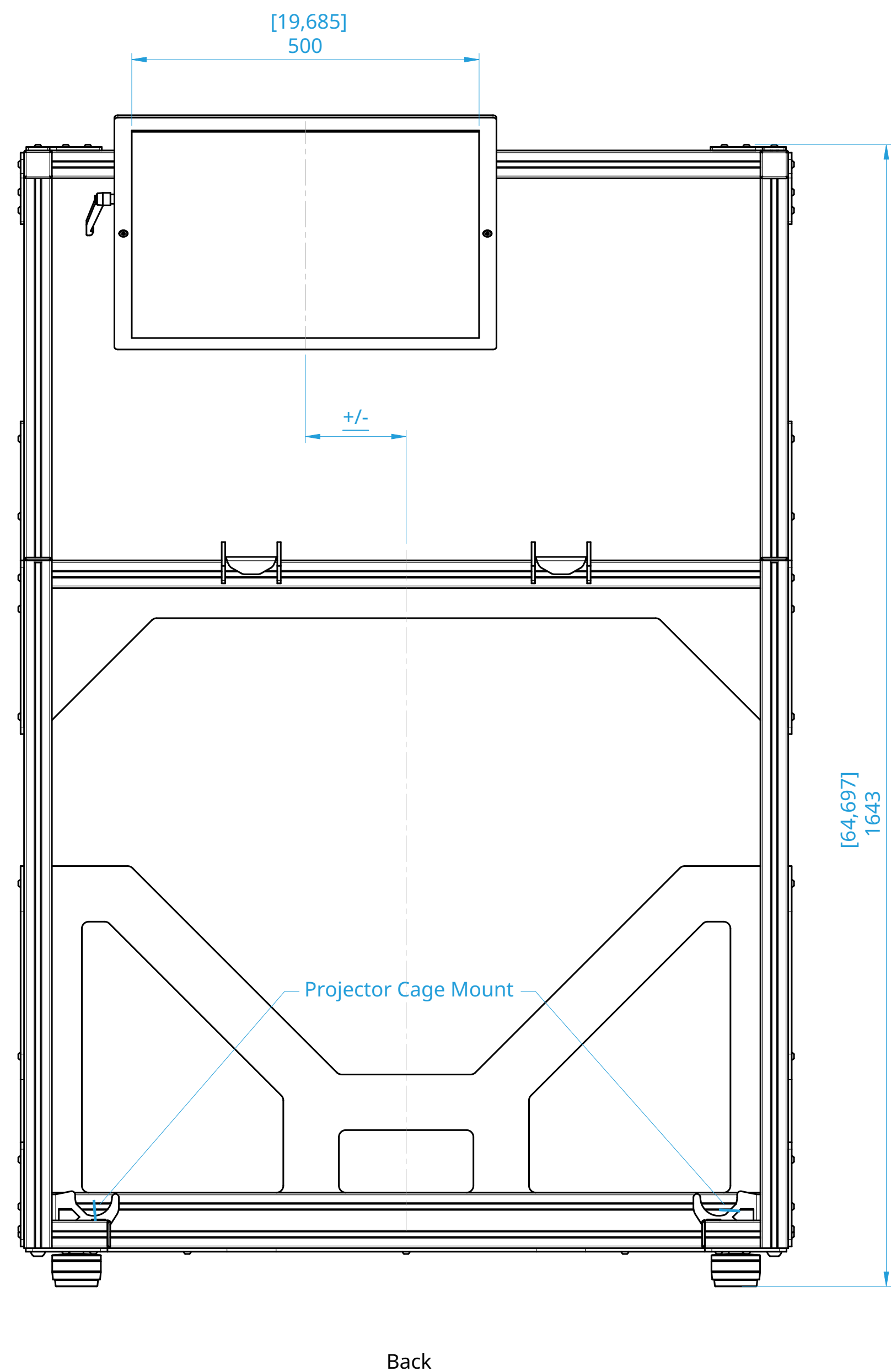
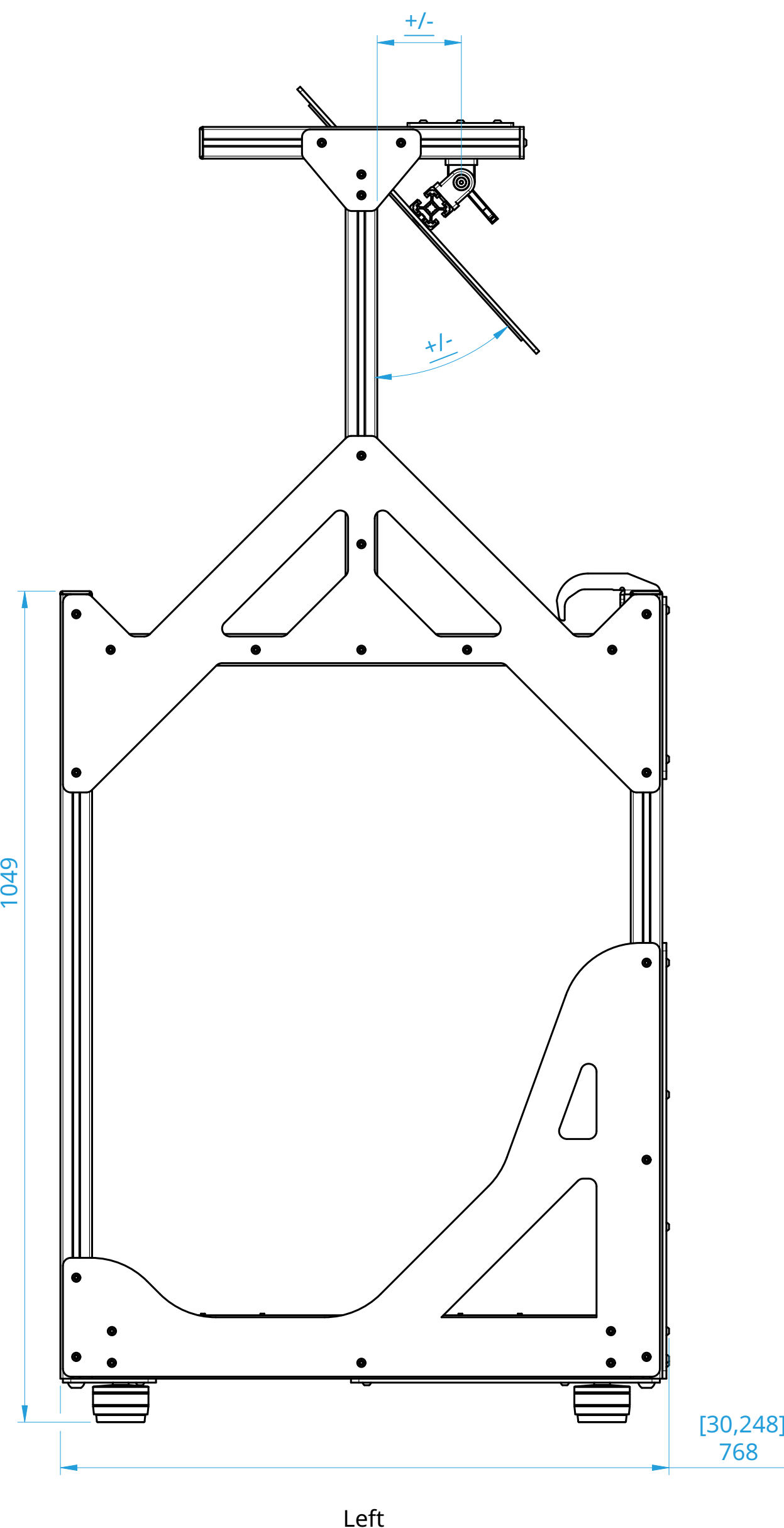
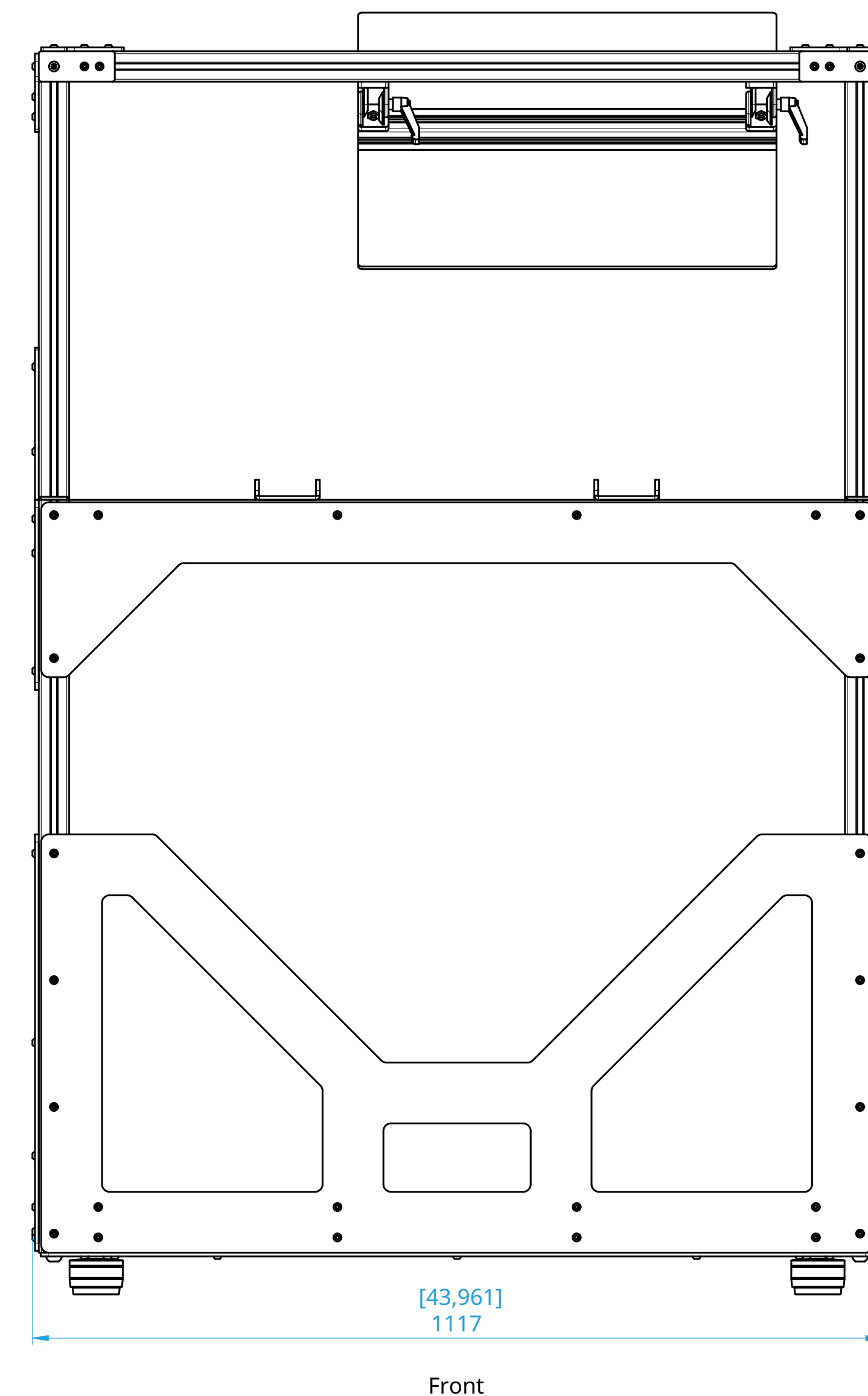
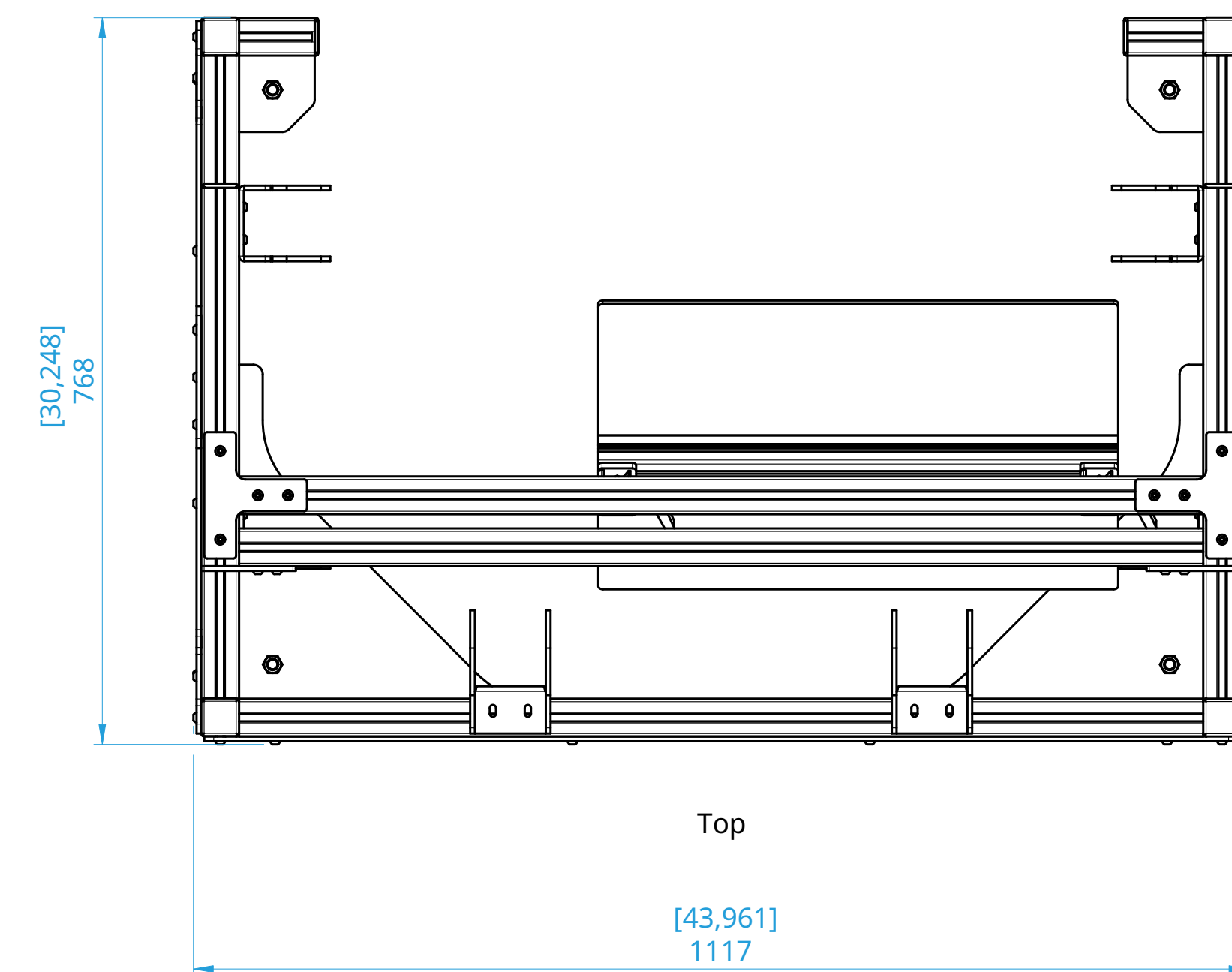
VERTICAL MIRROR MOUNT - XXL
Forward Configuration

PART NUMBER

[DT-VMM-XXL]



DRAWING No. DR-01	REV No. 00
----------------------	---------------





NOTES:

- ALL DIMENSIONS ARE IN 'MM' UNLESS SPECIFIED IN "[x]".
- ANY HAZARD SYMBOLS ARE TO BE READ IN CONJUNCTION WITH ANY RISK ASSESSMENT IF NUMBERED.
- THIS DRAWING IS PROPERTY OF DISPLAY TECHNOLOGIES LTD & IS STRICTLY CONFIDENTIAL. THE DRAWING SPECIFICATION & ITS CONTENTS MUST NOT BE DISCLOSED TO ANY THIRD PARTY WITHOUT PRIOR CONSENT.
- DRAWING SCALE IS ANNOTATED ON EVERY VIEW. IF IN DOUBT - ASK THE DESIGNER.

SYMBOLS:

- PROVIDES A REFERENCE NUMBER FOR ADDITIONAL NOTATION.
- HIGHLIGHTS SPECIFIC MANUFACTURING INFORMATION.
- HIGHLIGHTS A HAZARD & OR A RESIDUAL RISK ASSOCIATED WITH THE DESIGN RISK ASSESSMENT.

REV	DESCRIPTION	DATE	INITIALS
00	ORIGINAL ISSUE.	22.03.29	LE
1	Redesigned Mirror Mount	11.07.24	SR

DESIGNED	CHECKED	APPROVED
S. Ridley	S. Ridley	S. Ridley
11.07.24	11.07.24	11.07.24

DRAWING STATUS

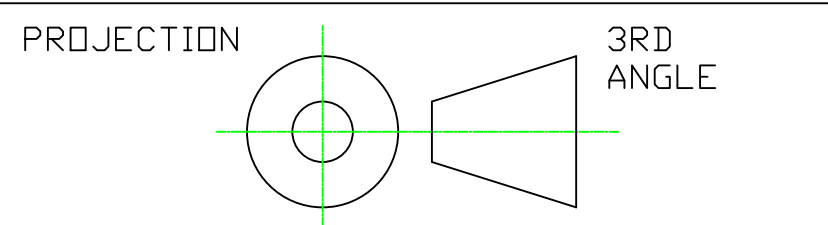
Clinet Issue

TITLE

VERTICAL MIRROR MOUNT - XXL
Reverse Configuration

PART NUMBER

[DT-VMM-XXL]



DRAWING No. DR-01	REV No. 00
----------------------	---------------

