

HDANYWHERE




XTND Audio (300)

CODE: XTNDA300
Product Guide (English UK)

Revision 1: 29/07/22

Contents

Contents, Glossary of terms	2-3
In the box, Features	4-5
Specifications	6-7
XTND Audio (300) transmitter port description	8-9
XTND Audio (300) receiver port description	10-11
Cabling	12-13
Example wiring diagram & explanation	14
Legals: Compliance, Conformity, Product Guarantee	15-17

 Help is only an email away: support@hdanywhere.com.

Glossary of terms

XTND Transmitter (TX)

Part of the XTND pair. The XTND Transmitter takes an audio signal and converts it into format that can travel over Cat cable. The transmitter is installed at the source end of the setup.

XTND Receiver (RX)

Part of the XTND pair. The XTND Receiver takes the converted audio signal made by the XTND transmitter and converts it back to an audio signal so that it can be connected to an amplifier or speaker.

DAC (Digital to Analogue Converter)

A DAC is a component inside the XTND Audio (300) that converts digital audio into analogue.

IMPORTANT

For optimum performance and safety, please read these instructions carefully before connecting, operating or configuring this product. Please keep this manual for future reference.

Surge protection is recommended

This device contains sensitive electrical components that may be damaged by electrical spikes, surges, electric shock, lightning strikes, etc. The usage of surge protection systems is recommended in order to protect and extend the life of your system.

In the box


Name: **XTND Audio (300)**
 Product code: **XTNDA300**

x1 XTND Audio (300) Transmitter

x1 XTND Audio (300) Receiver

x1 5V 1A USB Cable with adapters (UK,EU,US,AU)

x1 User Manual

 Help is only an email away: support@hdanywhere.com.

Features

Extend digital and analogue audio signals up to a maximum distance of 300m / 984ft over single Cat 5e/6 cable

Distances supported: 100m / 328ft @ 192KHz, 150m / 492ft @ 96KHz, 300m / 984ft @ 48KHz

Bi-directional Power over Cable (PoC)

Digital audio support including: LPCM, DTS, Dolby Digital, Dolby Digital Plus

32KHz, 44.1KHz, 48KHz, 96KHz, 176.4KHz, 192KHz @ 24-bit

Ultra-low jitter

Plug-and-Play design

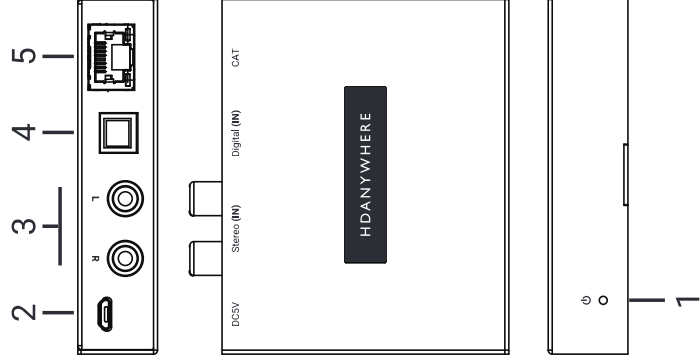
Specifications

Transmission distance	100m/328ft: 192KHz 150m/492ft: 96KHz 300m/984ft: 48KHz
Audio I/O	Inputs: x1 Optical, x1 Stereo RCA (L/R) Outputs: x1 Optical, x1 Stereo RCA (L/R)
Audio formats support	Stereo: PCM 2.0 Optical: LPCM 2.0, LPCM 5.1, Dolby Digital 2.0/5.1
SPDIF audio formats	PCM 2.0, Dolby Digital / Plus, DTS
Sample rates	32KHz, 44.1KHz, 48KHz, 96KHz, 176.4KHz, 192KHz @ 24-bit
ESD protection	±8kV (Air-gap discharge) ±4kV (Contact discharge)
Power consumption	1.5W (Maximum)
Power supply	DC 5V 1A
Operating temperature	0°C - 40°C / 32°F - 104°F
Storage temperature	-20°C - 60°C / -4°F - 140°F

 Help is only an email away: support@hdanywhere.com.

Relative humidity	20 - 90% (Non-condensing)
Housing	Steel
Colour	Grey (Carbonite)
Dimensions (W/H/D) mm	90 x 72 x 20 (Both Transmitter and Receiver are the same)
Weight	174g (Both Transmitter and Receiver are the same)
Package weight	500g

Transmitter Diagram



Description

1. **Power:** Indicator light. If this light is on and solid then the XTND transmitter has power.

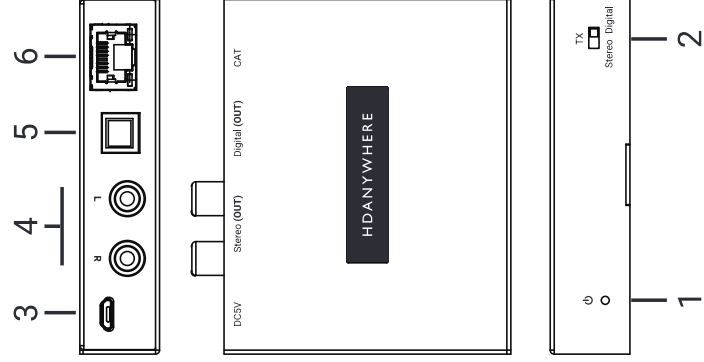
2. **DC5V:** Connect the supplied power supply to this port to provide power to the XTND transmitter and receiver.

3. **Stereo (IN):** Analogue audio input port. Connect a RCA cable from your audio source to this port.

4. **Digital (IN):** Digital optical input port. Connect an Optical Toslink cable from your audio source to extend audio and multi-channel audio streams.

5. **CAT:** Connect the XTND Transmitter to the Receiver via the CAT port. Use any standard Cat 5e/6 cable.

Receiver Diagram



Description

1. **Power:** Indicator light. If this light is on and solid then the XTND receiver has power.
2. **Mode:** Enables the internal DAC for routing digital input audio to an analogue output. This applies to the “Stereo (OUT)” port only. This switch routes input audio from the XTND transmitter to the Stereo (OUT) port on the XTND receiver and tells the XTND Audio (300) what source audio it should output. As an example: if the audio source is connected via Optical cable on the “Digital (IN)” port on the XTND transmitter then the switch would be set to the “Digital” position on the receiver. Please note that the DAC does not down-mix multi-channel audio to 2ch (stereo).
3. **DC5V:** Connect the supplied power supply to this port to provide power to the XTND transmitter and receiver.
4. **Stereo (OUT):** Analogue audio output port. Choose if you want to output source audio from Optical by changing the audio mode (see #2 above).
5. **Digital (OUT):** Digital optical output port.

6. **CAT:** Connect the XTND Transmitter to the Receiver via the CAT port. Use any standard Cat 5e/6 cable.

Cabling

Currently you can use Cat5e, Cat6, Cat6e, Cat6a, Cat7 or Cat7a with XTND.

Optimum performance

Whichever network cable type you choose, ensure that the main wiring architecture is 'solid core' and not stranded 'patch' cabling. Patch cabling can be used for the last few metres of a run (e.g wallplate) but should be avoided over longer runs as signal transfer over stranded cores is significantly impacted. The use of pre-made leads is not recommended unless you can be absolutely sure of their construction credentials (i.e. solid core 568B). For optimum performance, use a single piece of Cat cable terminated directly at the transmitter and the receiver ends. Make sure to use the correct connector types (i.e. RJ45 solid core) crimp connectors.

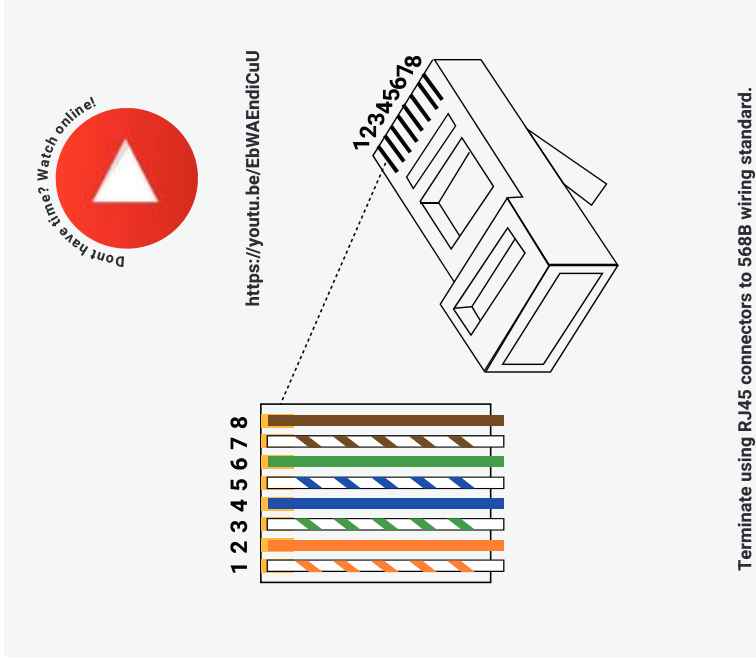
Shielded cables

Shielded FTP cable is not a stipulation. However, if you are using this type of cable ensure compatible shielded accessories are used. Failure to terminate cable screen at all points can induce interference rather than eliminate it.

Patch panels and wall plates

If patch panels are terminated correctly then there is a minimal loss of distance. The use of wallplates and patch panels has the potential to cause increased resistance on the cable introducing pinch points for signal transmission and could reduce transmission lengths. **TIP:** Instead of using RJ45 wallplates use brush plates.

 Help is only an email away: support@hdanywhere.com.



Note:
DO NOT USE ANY COPPER CLAD ALUMINIUM/STEEL (CCA/CCS) Cat 6/7 CABLE.

Terminate using RJ45 connectors to 568B wiring standard.

Example wiring diagram

Diagram 1

In this diagram, an audio device (TV) is acting as a source and is being fed into the XTND Audio (300) transmitter "Digital (IN)" port. This is then extended via Cat5e or Cat6 cable to the XTND Audio (300) receiver where the signal is converted to analogue stereo and output from the "Stereo (Out)" port to an AVR or amp.

The mode switch on the XTND receiver should be set to "Digital" to enable the DAC so Optical audio can be routed to the analogue "Stereo (Out)" port correctly (see page 11).

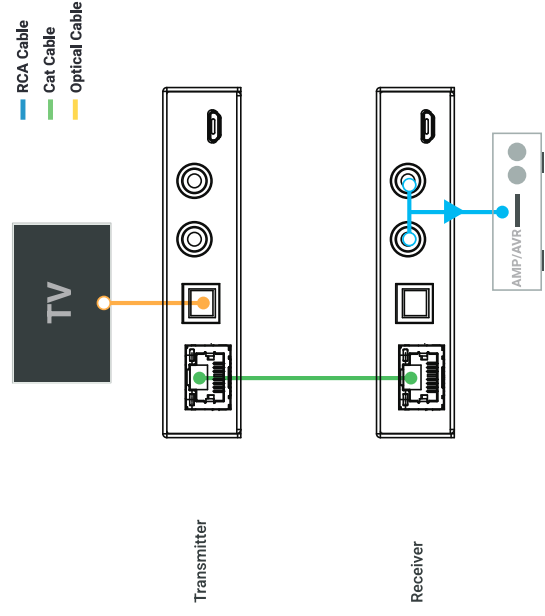


Diagram 1.

Note:

This XTND system has been designed so that it can be installed in multiple ways. The purpose of the diagram is to illustrate a typical/example setup. If you are unsure how you might install this device in to your property then contact support@hdanywhere.com or a HDA Pro (<https://hdanywhere.com/dealers-and-installers/>).

2 Year Guarantee

WHO WE ARE

1. We are HD CONNECTIVITY LTD trading as HDANYWHERE ("HDA"), a limited company registered under number 06046737 in England and Wales with its registered offices at The Heysfield, Malvern, WR14 1GF, United Kingdom.

OUR GUARANTEE TO YOU

2. We, HDANYWHERE warrant to you, the end user of the HDA hardware (the "Products") that on the date of delivery of the Products to you, and for a period of 2 years from that date of delivery, the Products shall:

- (a) match any description that has been provided to you;
- (b) be free from any significant defects in their design, the materials used to make them, and the way they are made;
- (c) be of satisfactory quality (within the meaning of the Consumer Rights Act 2015); and
- (d) be fit for any purpose held out by us.

This 2 year period, or, if the period has been extended to 3 years in accordance with paragraph 3, will be the "Guarantee Period". We offer this guarantee to all our customers who are resident and have an address in Great Britain and Northern Ireland.

EXTENDING YOUR GUARANTEE (NOT APPLICABLE TO ANY XTND)

3. On registering your Products with the HDA Cloud, the guarantee offered in paragraph 2 by us will automatically extend for a period of one year, provided that your registration takes place within 30 days from the date of delivery. The one year guarantee extension starts automatically from the date that the original 2 year guarantee ends.

HOW TO CLAIM ON YOUR GUARANTEE AND YOUR REMEDIES

- 4. Subject to paragraphs 5 and 6 of this guarantee, Your sole remedies under Our guarantee to You are as follows:
 - (i) Up to 30 days: we will repair or replace your Products or provide you with a full refund of the price of the defective Products at your option.
 - (ii) Up to 6 Months: we will repair or replace your Products. If we are unable to repair or replace your Products we will provide you with a full refund of the price of the defective Products.
 - (iii) Up to 2 (3) Years: we will repair or replace your Products. If we are unable to repair or replace your Products we will provide you with a partial refund of the price of the defective Products based upon the devaluation of the Products since the time of purchase.
- 5. In order to claim under the guarantee given to you in paragraph 2 you will need to:

- (a) give us notice in writing of your intention to claim under the guarantee during the Guarantee Period, and do so within a reasonable time after finding that some or all of the Products do not comply with the guarantee set out in paragraph 2;
- (b) show that the Products that you claim are defective, have been examined by a HDA Pro or other authorised or suitably qualified installer, and that they have[MG3] confirmed in writing that the suspected defect in the Products stems solely from a fault in the HDA hardware;
- (c) give us a reasonable opportunity to examine the Products in question;
- (d) provide us with an order number and a dated sales or delivery receipt from an HDA Distributor, HDA Pro or other authorised dealer, reseller or installer of the Products;
- (e) obtain from us in advance of returning the Products a return merchandise authorisation and/or case number[MG4]; and
- (f) (if asked to do so by us) return such Products to our place of business at our cost.

CIRCUMSTANCES WHERE YOUR GUARANTEE DOESN'T APPLY

- 6. We shall not be liable for the Products' failure to comply with the guarantee set out in paragraph 2 in any of the following events:
 - (a) If you make any further use of the Products after giving us notice of an issue in accordance with paragraph 5;
 - (b) the defect arises because you failed to follow our oral or written instructions as to the storage, installation[MG5], use and maintenance of the Products;
 - (c) the defect arises as a result of your use of the Products with any other software or hardware that is not compatible with the Products;
 - (d) the products are used by you for any commercial purpose, including rental or demonstrative purposes;
 - (e) you alter or repair the Products without the written consent of HDA;
 - (f) the defect arises as a result of an act of god, fair wear and tear, or your misuse, abuse, unreasonable use, wilful damage, negligence, or abnormal storage of the Products or by any other causes unrelated to defective hardware or manufacturing;
 - (g) where the serial number has been altered, defaced or removed;
 - (h) where the warranty seal on the system has been altered, defaced or removed; or
 - (i) where the Products differ from their description as a result of changes made to ensure they comply with applicable statutory or regulatory requirements.

TRANSFERRING YOUR GUARANTEE TO SOMEONE ELSE

- 7. HDA will not accept any liability under such guarantee unless you are the original customer or can produce a letter or chain of letters from the original customer and

subsequent customers (where appropriate) transferring the benefit of the guarantee to you.

PRODUCTS THAT ARE NOT COVERED BY THIS GUARANTEE

8. This guarantee does not cover products sold and clearly marked "as is", "B-grade", or with faults. This guarantee does not apply to any system software that is preinstalled in the HDA hardware, or is subsequently provided via update or upgrade releases. Any and all HDA software is licensed to you under the terms of a separate end user licence agreement found here: <https://hdanywhere.com/legal>

HOW THIS GUARANTEE WORKS WITH OUR EULA

9. We may void this guarantee if we reasonably believe that the HDA system has been used in a manner that violates terms of our separate End User Licence Agreement (EULA) for the HDA software. You assume all-risk and liabilities associated with the use of third party products in conjunction with the Products.

YOUR STATUTORY RIGHTS

10. This guarantee is in addition to your statutory rights (including under the Consumer Rights Act) which are not affected by this guarantee

GENERAL TERMS OF THIS GUARANTEE

11. Except as provided in this guarantee, we shall have no liability to you in respect of the Products' failure to comply with the guarantee set out in paragraph 2.
12. We reserve the right to amend or withdraw this guarantee at any time although for the avoidance of doubt any guarantees that are in existence at such a time will be honoured.
13. These Conditions shall apply to any repaired or replacement Product supplied by us.

GUARANTEE CONTACT INFORMATION

To contact (support@hdanywhere.com) or call HDANYWHERE Technical Support (call charges will depend on your telephone provider. Please check with your operator for exact charges).The team is available 9am - 5pm weekdays. To help us handle your query promptly, please have your invoice number and model SKU and serial ready.



Help is only an email away: support@hdanywhere.com.

Important information

EU Conformity

Hereby, HDANYWHERE declares that this HDMI connectivity device is in compliance with the essential requirements and other relevant provisions of the following Directives: 2006/95/EC (LVD Directive); 2004/108/EC (EMC Directive); 1999/5/EC (R&TTE Directive). The full text of the EU declaration of conformity is available in the compliance section at [HDANYWHERE.com/legals](https://www.hdanywhere.com/legals)

Recycling your device properly

In some areas, the disposal of certain electronic devices is regulated. Make sure you dispose of or recycle your device in accordance with your local laws and regulations.

HDANYWHERE

Let us know what you think.

We would love to hear how we could further improve our products and services.
If we can make something better, please let us know!

support@hdanywhere.com

Copyright © HDANYWHERE.
HDANYWHERE™ is a trading name of HD Connectivity Ltd.
Registered in England & Wales 06046737 VAT 913222367

HDANYWHERE assumes no responsibility for any inaccuracies that may be contained in this document. In no event will HDANYWHERE be liable for direct, indirect, special, incidental, or consequential damages resulting from any defect or omission in this document, even if advised of the possibility of such damages.