

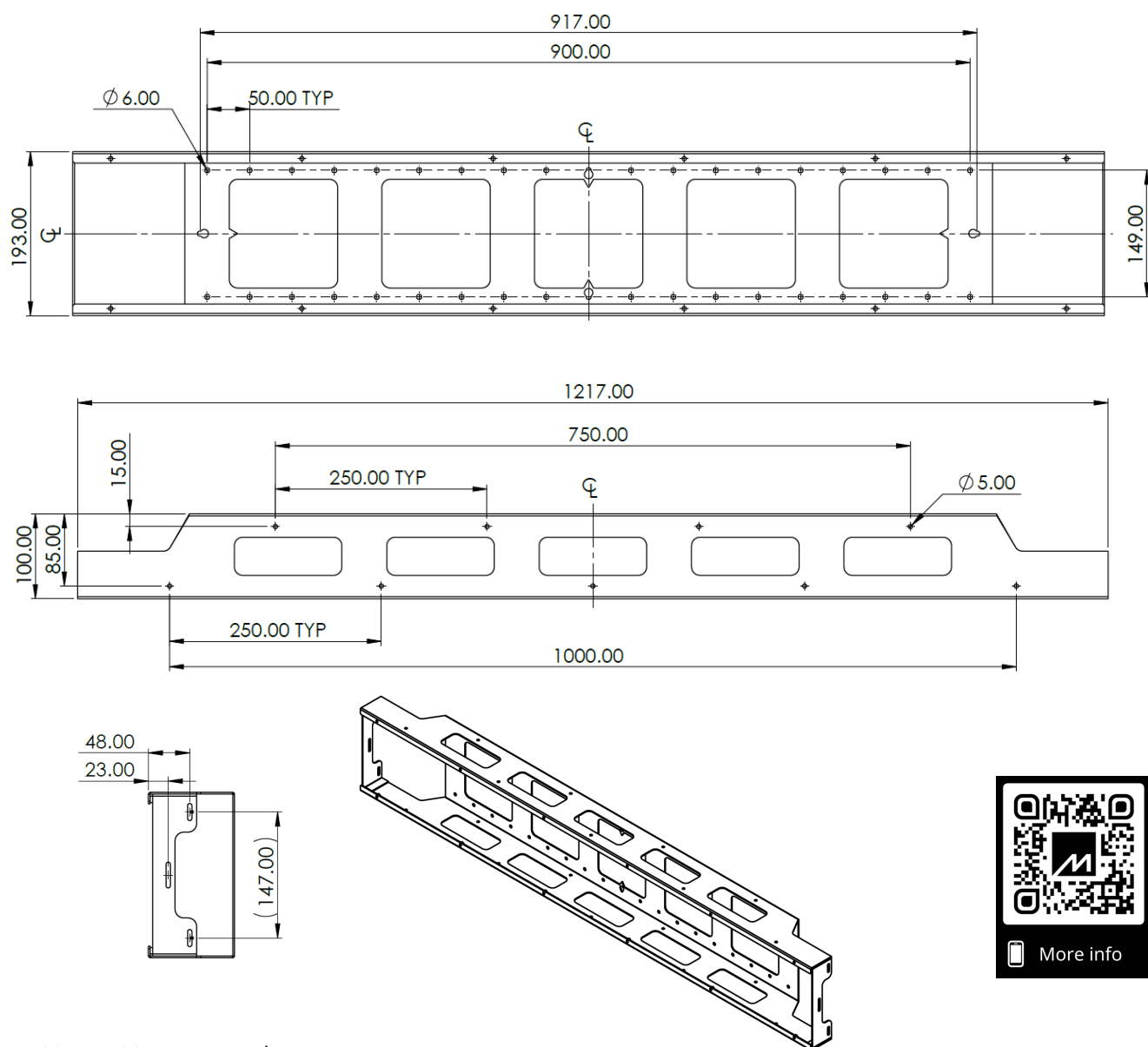
# MB600 MOUNTING BRACKET

The MB600 Mounting Bracket is designed to be used with a Meridian DSP640, DSP640.2 or DSP750 in-wall loudspeaker in either a vertical or horizontal orientation. The loudspeaker weighs up to 16kg (35 lbs) and the bracket itself weighs 4.5kg (10lbs). The combined weight must be taken into consideration when installing the Mounting Bracket. Ensure that the fixings and mounting method to be used are appropriate for the wall material to which the bracket is being mounted.

The Mounting Bracket features 36 fixing-holes on its back-panel. These should be used to secure the bracket to the wall. It is strongly advised that neither the holes on each of the side-panels nor the slots on each of the end-panels are used for structural support. Doing so could cause the bracket to be distorted out-of-shape, and even a small amount of flexing will make it impossible to align the loudspeaker's mounting holes with those on the bracket. The bracket has four triangular alignment tabs on its back-panel to indicate its horizontal and vertical centre lines and there are four "keyhole" apertures to aid the initial positioning of the bracket prior to securing it fully with additional fastenings.

When installing Mounting Brackets adjacent to one another, such as when installing a multiple loudspeaker array, it is strongly recommended that each bracket is mounted independently, and that a small gap (~1mm) should be left between the brackets. This gap removes the risk of vibrations transmitted through the wall from causing unwanted buzzes or rattles due to the brackets being in contact with each other.

Further information concerning Meridian in-wall loudspeakers can be found here:  
[meridian-audio.com/product-support/architectural-loudspeakers/](http://meridian-audio.com/product-support/architectural-loudspeakers/)



## MB600 Mounting Bracket

Designed and made in England by Meridian Audio Limited Registered Design ® and Copyright © 2020