

This zoom lens is designed for use with Panasonic's applicable projectors.

\*Please use the lens only on the specified Panasonic projector.

**Specifications**

F value	1.84 ~ 2.14
Focal distance (f)	10.80 mm ~ 12.52 mm (7/16 ~ 1/2 inches)
Throw ratio	0.480~0.550:1 for PT-MZ16KL/MZ13KL/MZ10KL (16:10 aspect ratio) 0.480~0.550:1 for PT-MZ16KL/MZ13KL/MZ10KL (16:9 aspect ratio) 0.580~0.660:1 for PT-MZ16KL/MZ13KL/MZ10KL (4:3 aspect ratio)
Dimensions (W × H × D)	179 × 175 × 314 mm (7-1/16 × 6-7/8 × 12-3/8 inches)
Weight	Approximately 5.20 kg (11.46 lbs)
Applicable projector	PT-MZ16KL/MZ13KL/MZ10KL

**Dimensions**

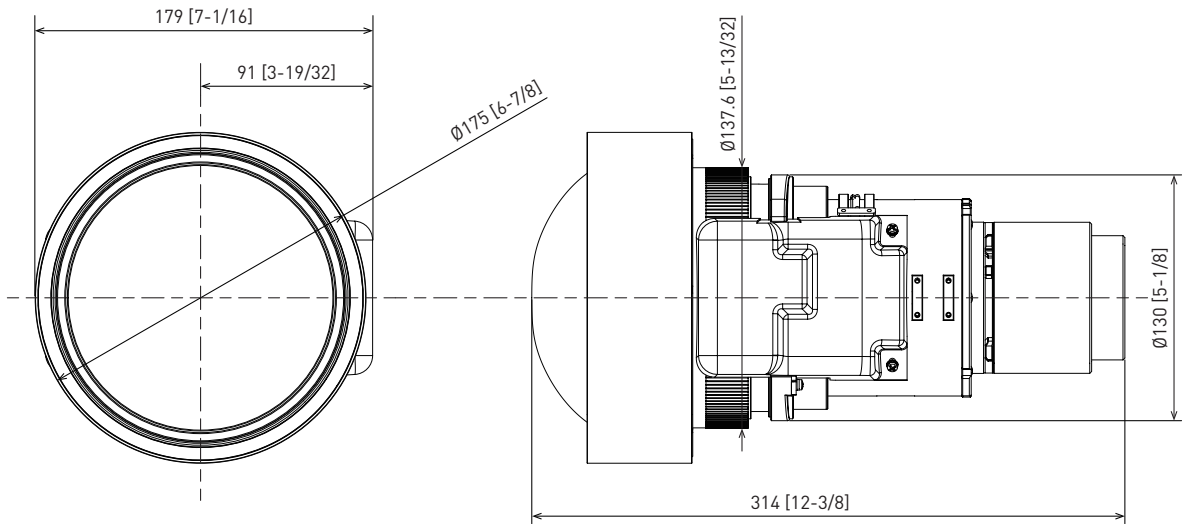
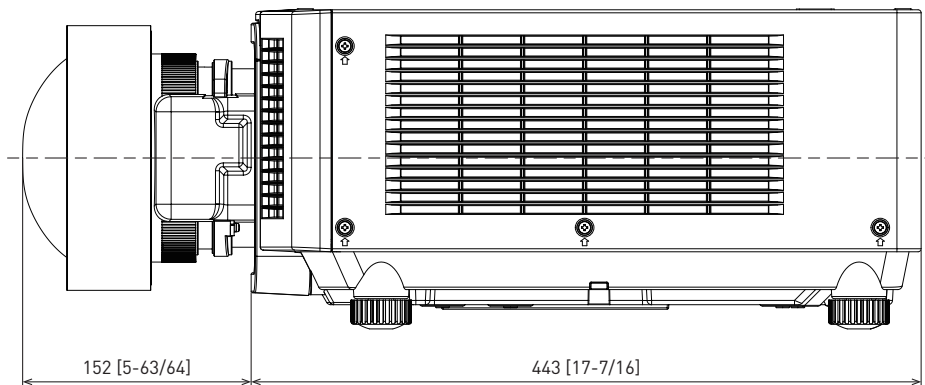


Figure attached to the [PT-MZ16KL/MZ13KL/MZ10KL] projector



unit : mm [inch]

This illustration is not drawn to scale.  
Please read the projector's instruction manual for throw distances.  
Weights and dimensions shown are approximate. Specifications subject to change without notice.